



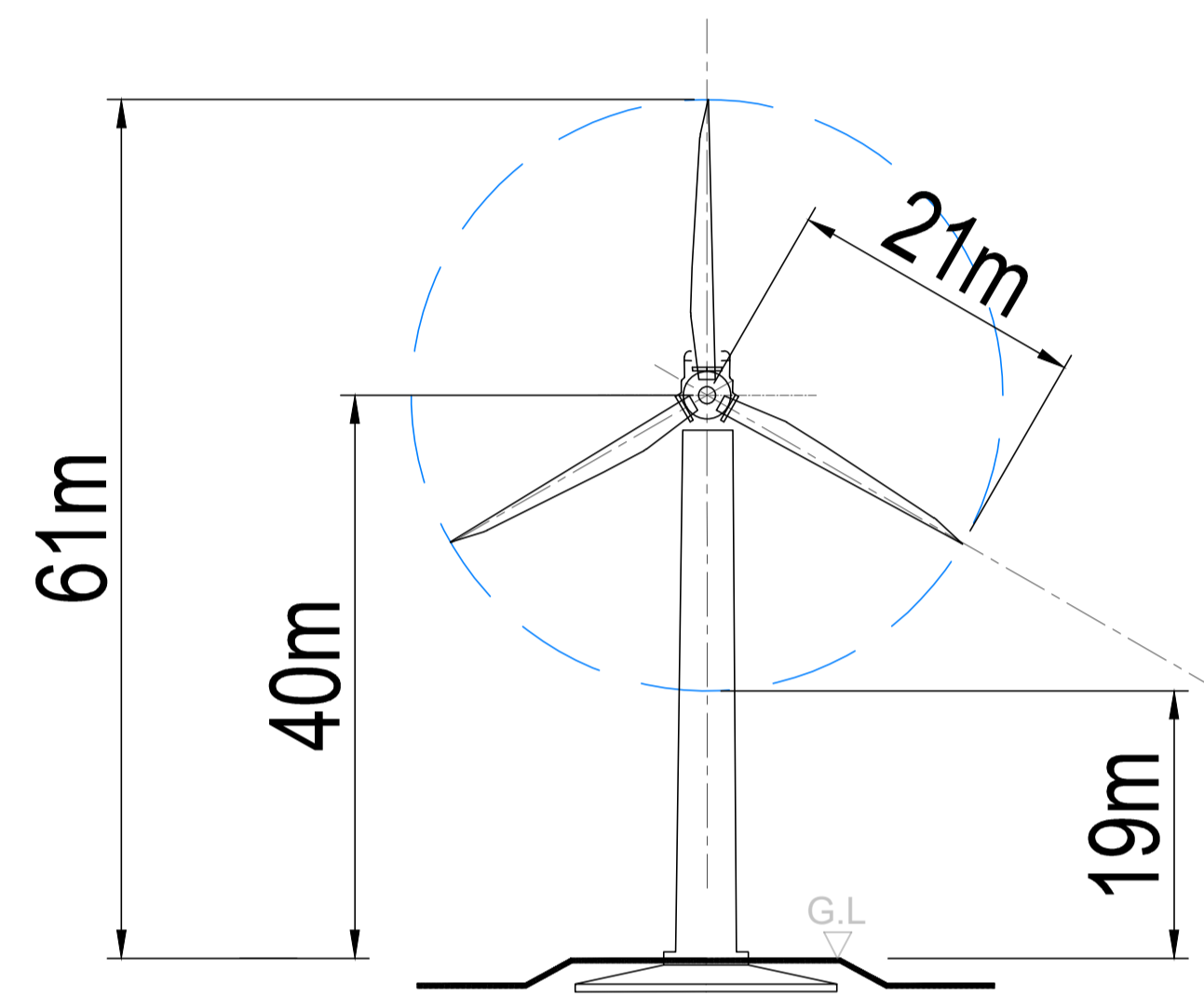


### Legend

-  Existing Temporary Met Mast
-  Existing Turbine To Be Removed As Part Of Repowering Project
-  Access Road
-  SPR Land Ownership

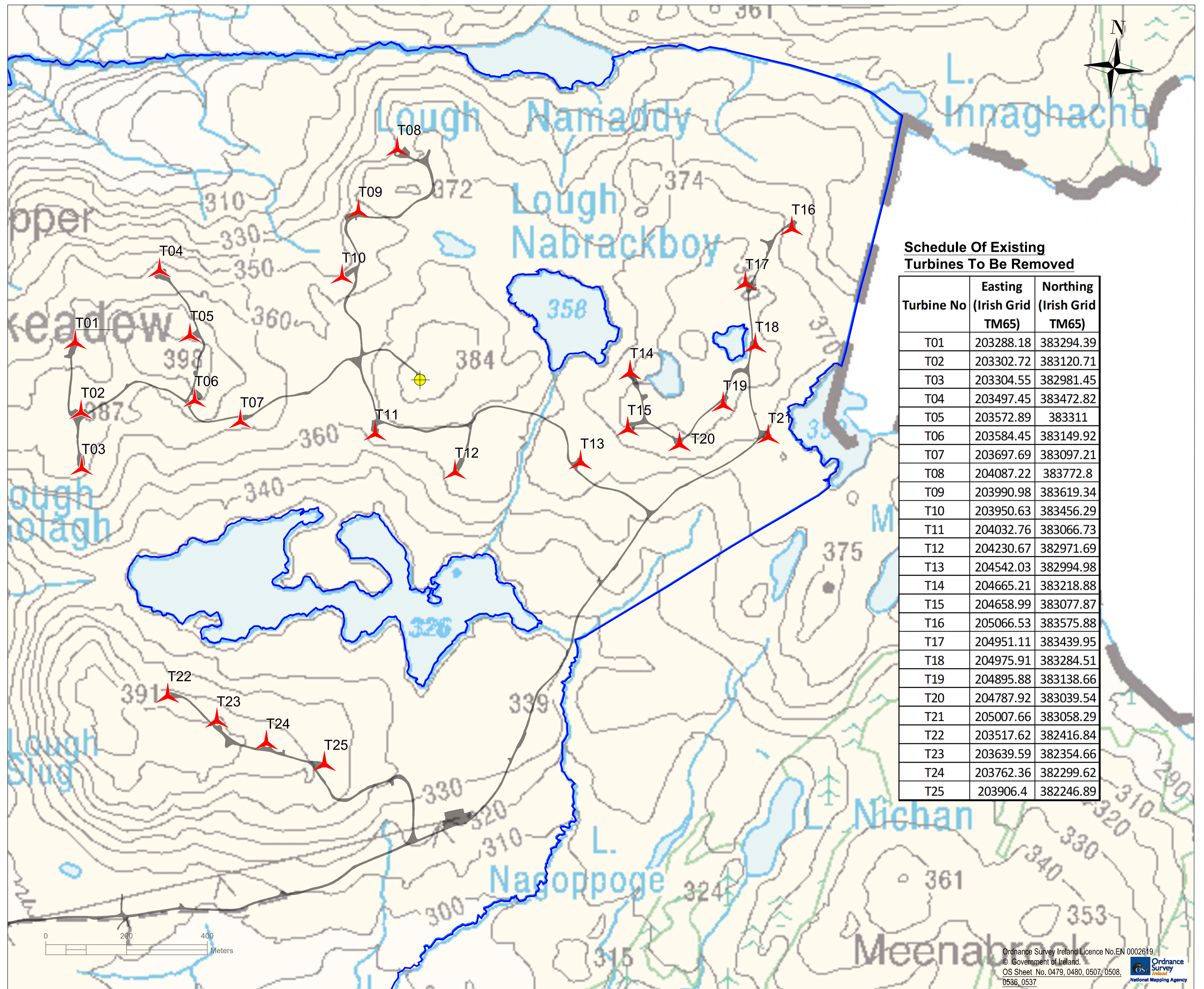


### Elevation Existing Turbine

Scale 1:500

#### Turbine Specifications:

- WTG Type : V42
- WTG Capacity : 0.60MW
- Hub Height : 40m
- Blade Length: 21m
- Tip Height : 61m



### Schedule Of Existing Turbines To Be Removed

Turbine No	Easting (Irish Grid TM65)	Northing (Irish Grid TM65)
T01	203288.18	383294.39
T02	203302.72	383120.71
T03	203304.55	382981.45
T04	203497.45	383472.82
T05	203572.89	383311
T06	203584.45	383149.92
T07	203697.69	383097.21
T08	204087.22	383772.8
T09	203990.98	383619.34
T10	203950.63	383456.29
T11	204032.76	383066.73
T12	204230.67	382971.69
T13	204542.03	382994.98
T14	204665.21	383218.88
T15	204658.99	383077.87
T16	205066.53	383575.88
T17	204951.11	383439.95
T18	204975.91	383284.51
T19	204895.88	383138.66
T20	204787.92	383039.54
T21	205007.66	383058.29
T22	203517.62	382416.84
T23	203639.59	382354.66
T24	203762.36	382299.62
T25	203906.4	382246.89



ScottishPower Renewables  
320 St Vincent Street  
Glasgow  
G2 5AD

Email: [info@scottishpowerrenewables.com](mailto:info@scottishpowerrenewables.com)  
Web: [www.scottishpowerrenewables.com](http://www.scottishpowerrenewables.com)

#### Notes

1. This drawing is the property of ScottishPower Renewables UK Ltd. It is a confidential document and must not be copied, used, or its contents divulged without prior written consent.
2. Scale 1:5,000 @ A1, 1:10,000 @ A3

Rev	Date	By	Amendments

Project  
**BARNESMORE WINDFARM REPOWERING**

Title  
**EXISTING OPERATIONAL BARNESMORE WIND FARM LAYOUT  
FIGURE 3.2**

Issue Details		Office Use Only	
Designed: JOD	Information	Drawing Number: 5952-000-003	
Drawn: A.McC.	Approval	Date:	Rev.
Checked: S.M.	Tender	08/11/2019	
Approved: D.K.	Construction		
Scale: As Noted	Record		

Ordnance Survey Ireland Licence No.EN 0002619.  
© Government of Ireland.  
OS Sheet No. 0479, 0480, 0507, 0508,  
0536, 0537