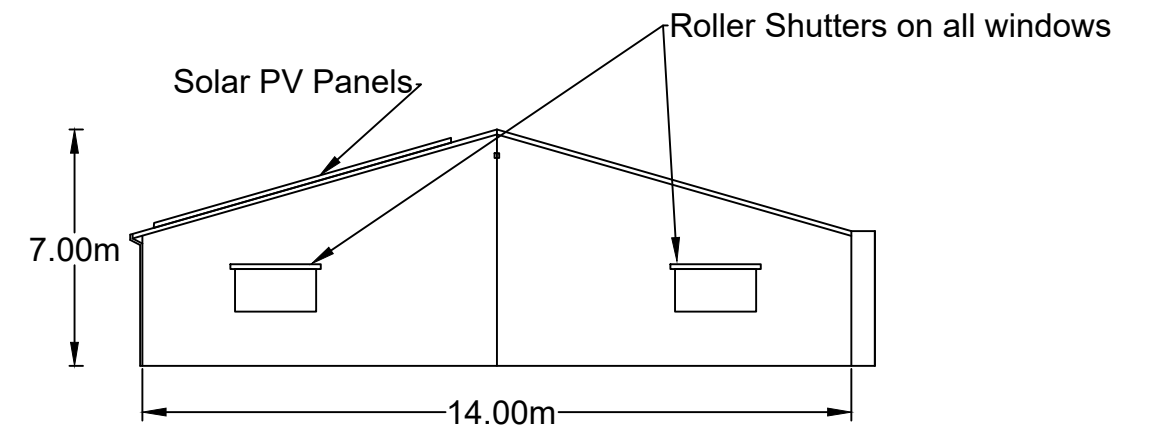
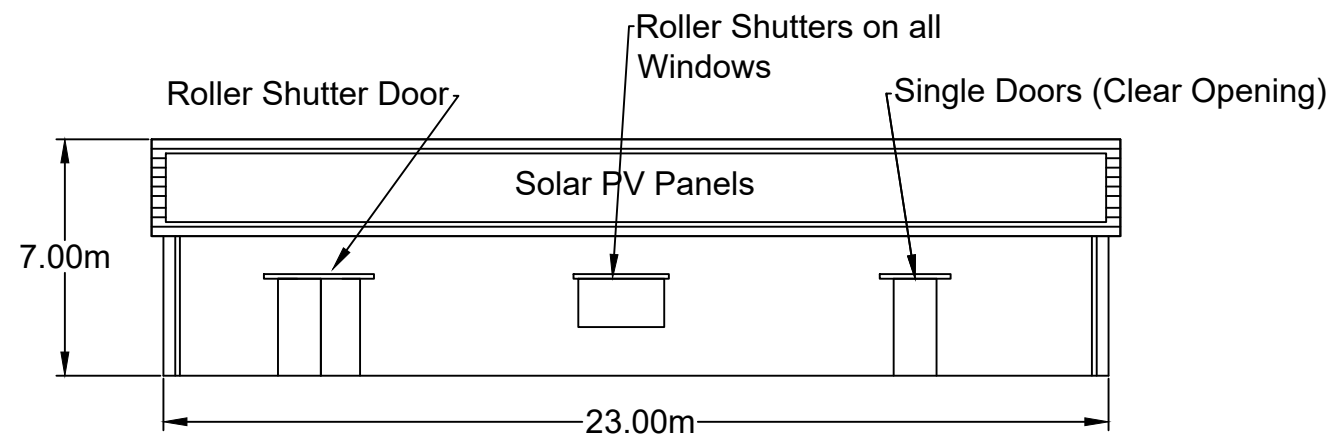


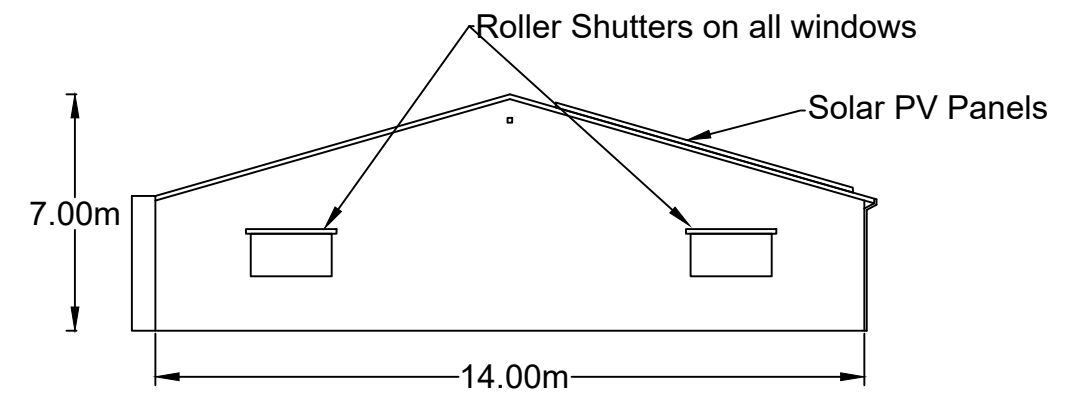
**North Elevation**



**East Elevation**



**South Elevation**



**West Elevation**



ScottishPower Renewables  
320 St. Vincent Street,  
Glasgow  
G2 5AD

Email: [info@scottishpowerrenewables.com](mailto:info@scottishpowerrenewables.com)  
Web: [www.scottishpowerrenewables.com](http://www.scottishpowerrenewables.com)

NOTES

1. This drawing is the property of ScottishPower Renewables UK Ltd. It is a confidential document and must not be copied, used, or its contents divulged without prior written consent.
2. DO NOT SCALE FROM DRAWING.

Rev.	Date	By	Description	Chk.	App.	Project
2	14/12/20	RH	REVISION 2	KD	CS	Date: 14/12/20
1	23/11/20	RH	REVISION 1	KD	CS	Scale @ A3: NTS
0	29/10/20	RH	FIRST ISSUE	KD	CS	Project No: 70068074
© ScottishPower Renewables						

Designed: RH	Drawn: RH	Checked: KD	Approved: CS	Project	<b>CARRICK WINDFARM</b>	Drawing Status:	FINAL
				Title	INDICATIVE CONTROL BUILDING	Drawing No:	FIGURE 4.9
				Rev.			2